



Datasheet

Rpm range: 26.000 -83.000 1/min  
 Thrust range: 28-550N  
 Specific fuel consumption: **0,144** kg/Nh (SFC)  
 EGT: 480-750°C  
 Massflow: 0.93kg/s  
 Power output (thrust): 163kW  
 Fuel: Jet A1/Diesel mixed with 3-5% JetCat oil mixed to fuel  
 Fuel consumption: 300-1650 ml/min  
 Ignition system: Direct kerosene start  
 Weight: 4900g  
 Diameter engine: 175mm  
 Power supply: 10-35VDC  
 Electrical connectors: 1x data , 1x power connectors  
 Integrated: ECU, Fuel pump, 2x solenoids, post fuel filter, spark ignition system, EGT probe  
 Warentarifnummer/TARIC: **84111100**  
 (All data at ISA conditions)

**Applications:**

Propulsion of radio-controlled model aircraft / industrial propulsion applications

**Notes:**

Engine is available in different setups:

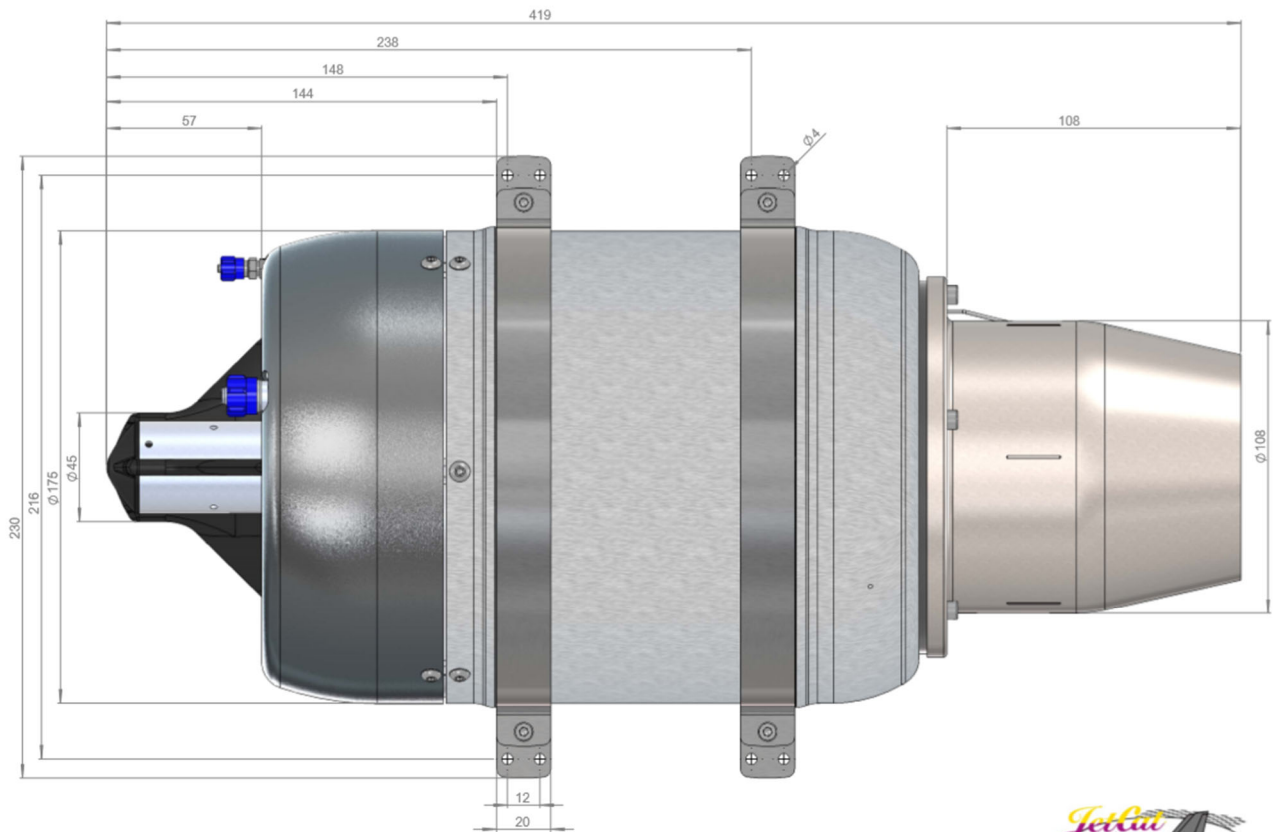
- Different nozzle length available to support easier integration depending on installation situation. This allows to remove or shorten tail pipes in many cases.
- Different styles of fuel inlet ports and connectors are standard options available.

**Article numbers (standard versions):**

Engine part number	Set part number	Comment	Descriptor
71155-0070	71155-0070	Low power generator	P550-PRO-GL
71155-0030	71155-0030	Low power generator, 9-pin Connector	P550-PRO-GL-Q
71155-0072	71155-0072	High power generator	P550-PRO-GH



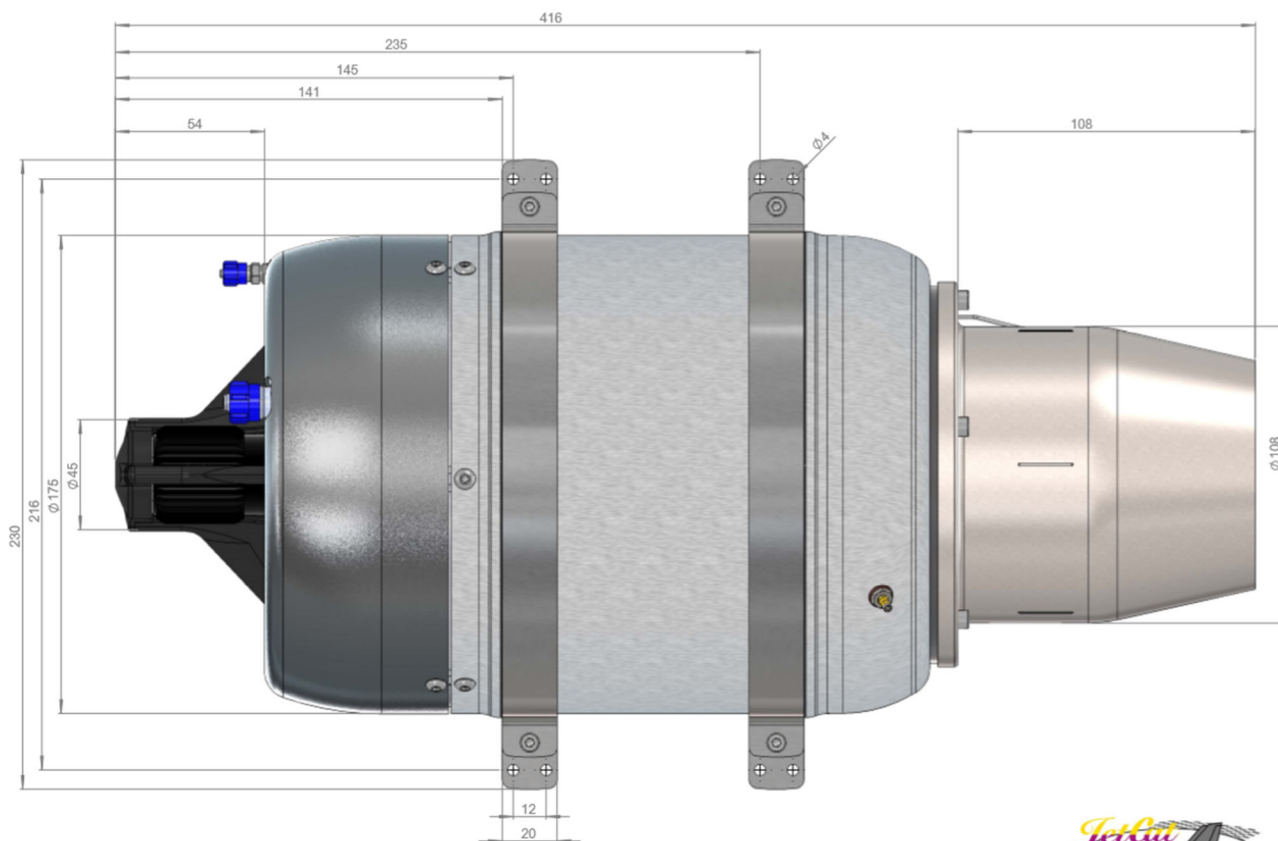
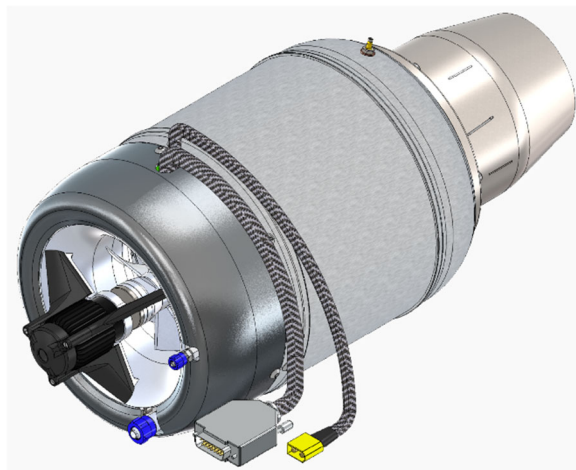
P550-PRO-GL, Drawings/ pictures



© 2017 Dimensions: P550-PRO-GL



P550-PRO-GL-(Q), Drawings/ pictures



© 2017 Dimensions: P550-PRO-GH

