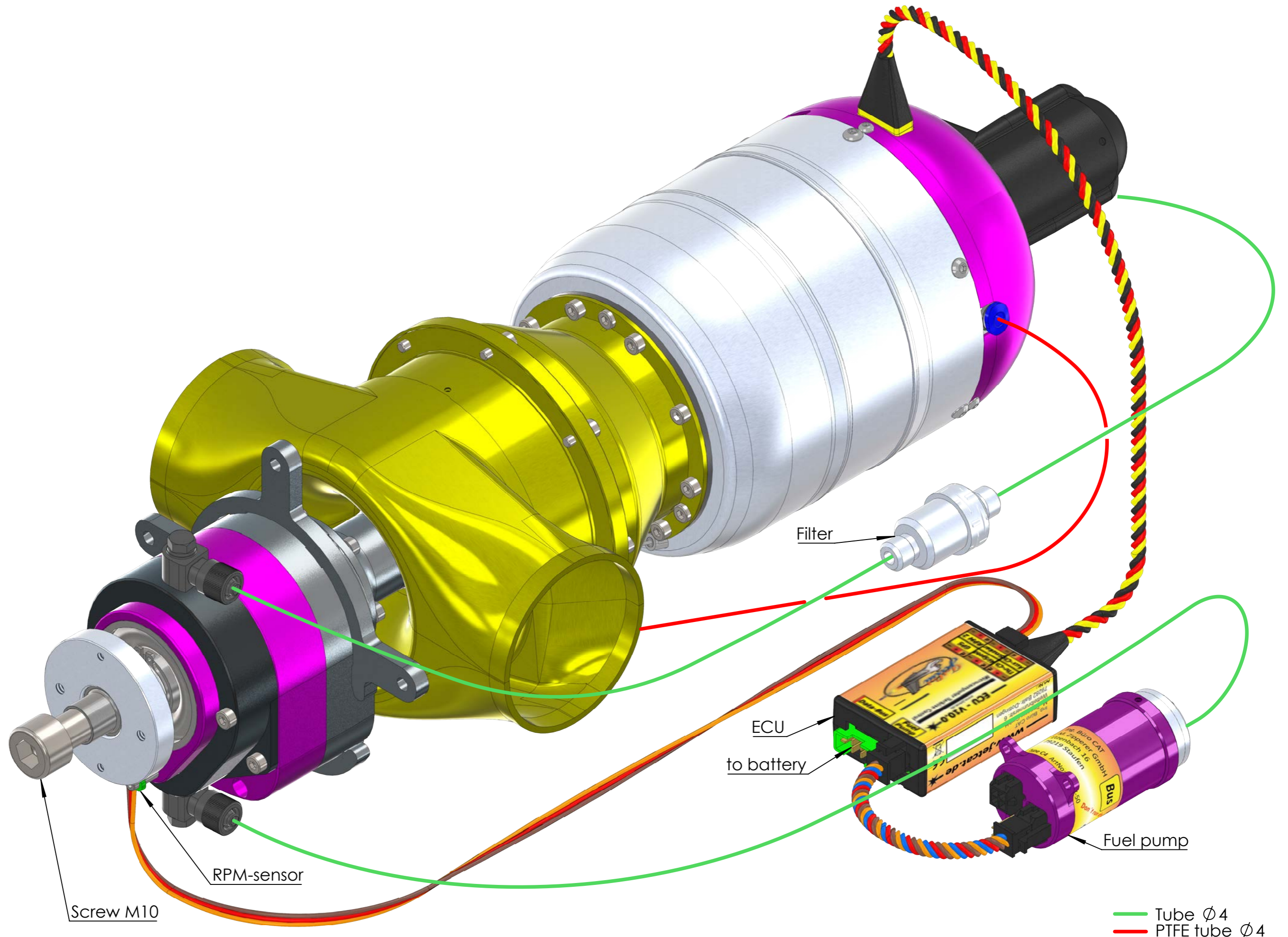
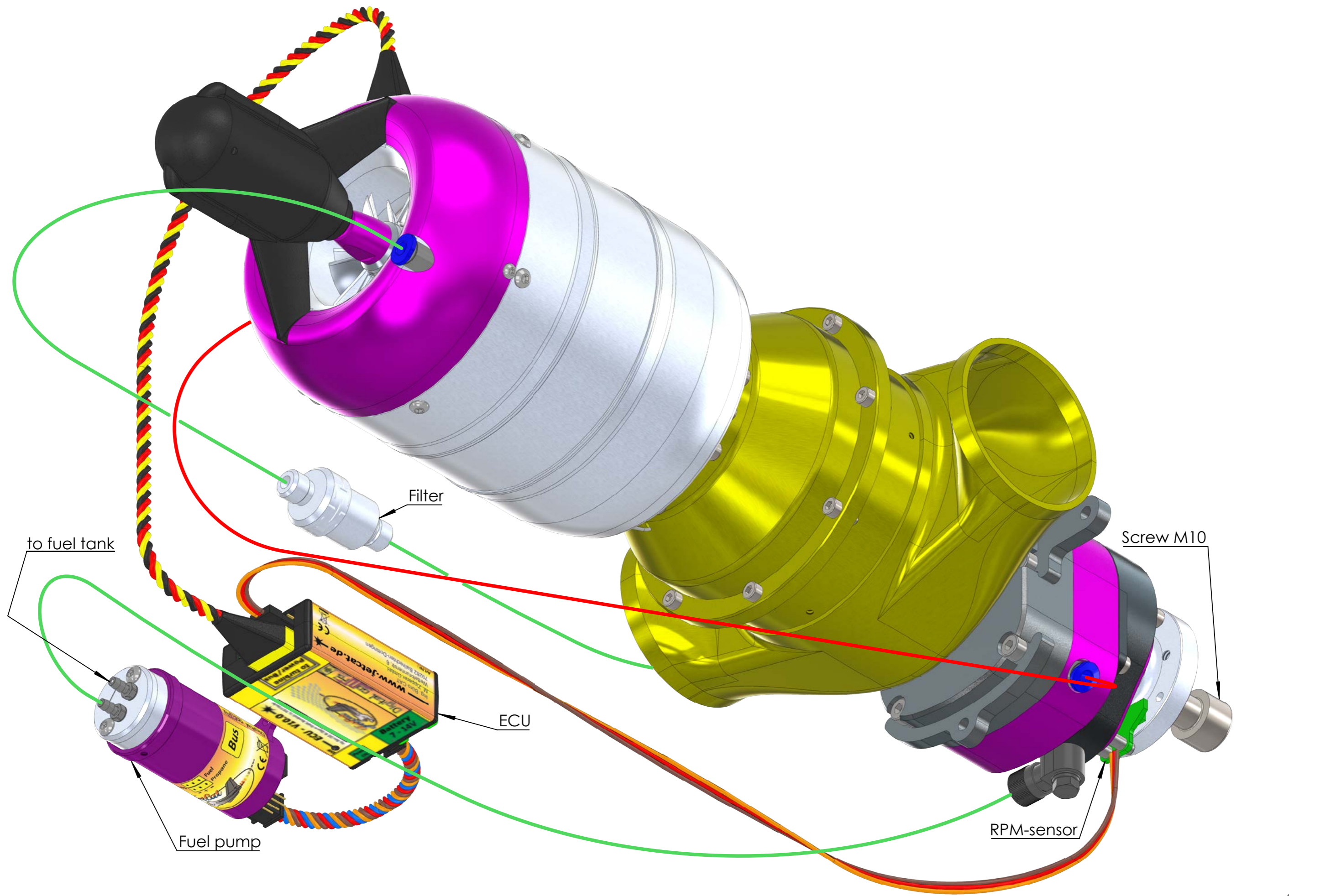


— Tube ϕ 4
— PTFE tube ϕ 4





— Tube $\varnothing 4$
— PTFE tube $\varnothing 4$