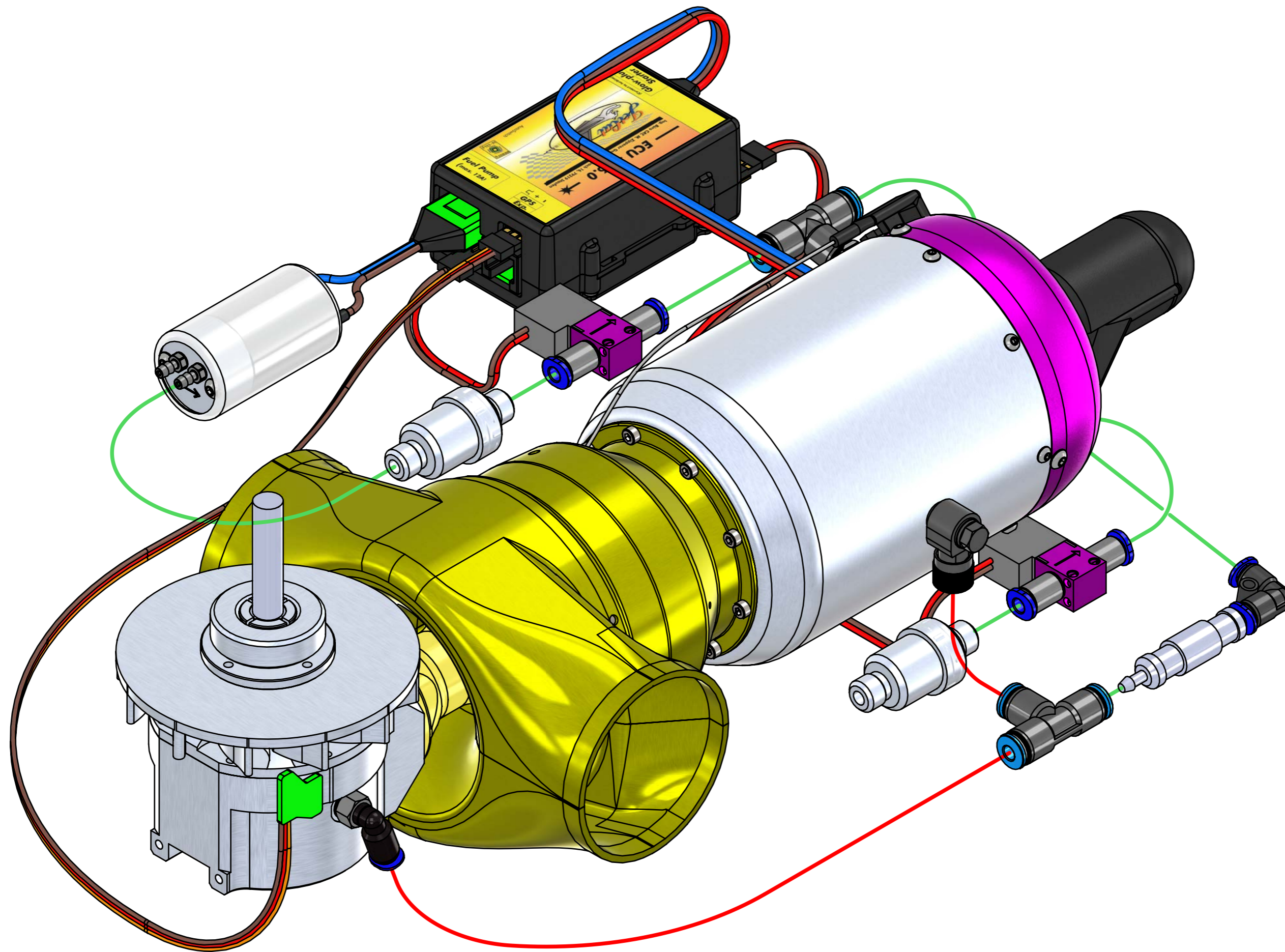
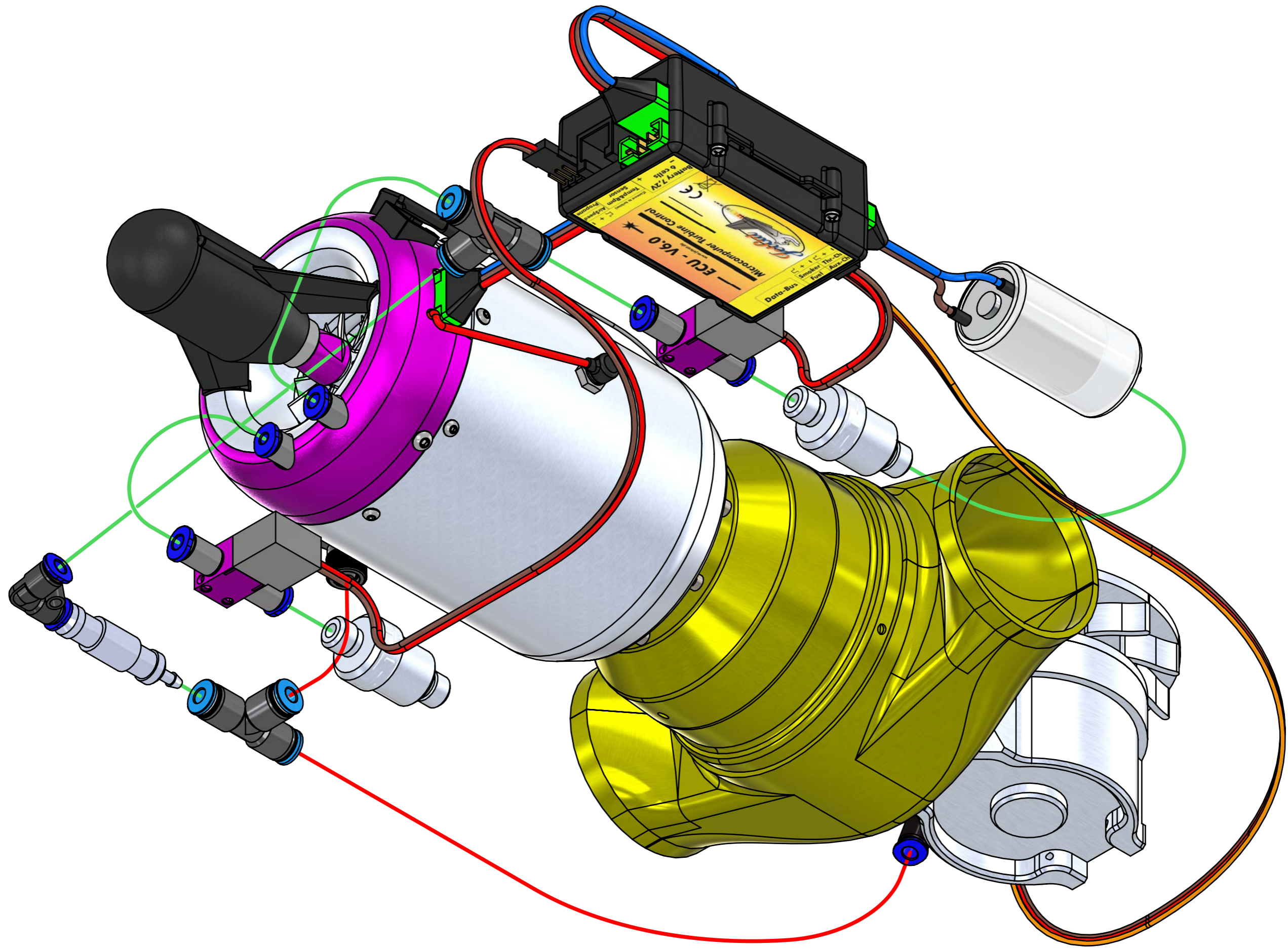


— Tube $\varnothing 4$
— PTFE tube $\varnothing 4$



— Tube $\varnothing 4$
— PTFE tube $\varnothing 4$



— Tube Ø4
— PTFE tube Ø4